

# BLUETREE RECORDS

## PRODUCTION CONTACT

Jocelyn Feil  
 Cell: 360-961-7396  
 jocelyn@latetuesday.com  
 www.latetuesday.com

## MGMT/BOOKING CONTACT

Nathan Marion  
 Cell: 360-303-4303

www.bluetreeartists.com  
 www.bluetreerecords.com

STAGE PLOT: Late Tuesday ACOUSTIC

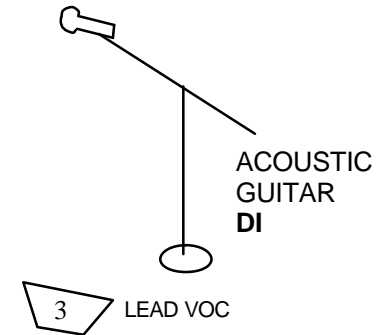
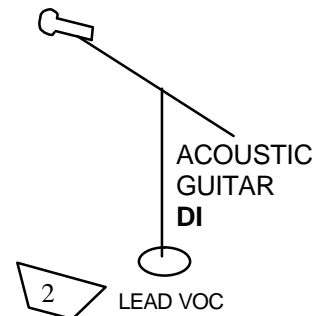
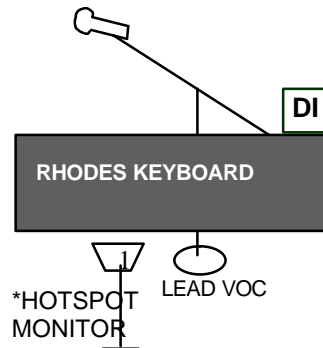
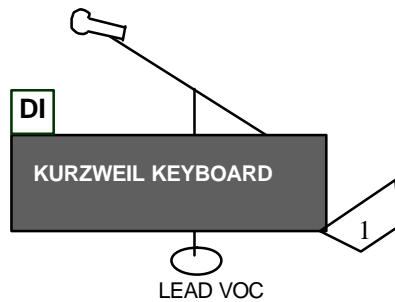
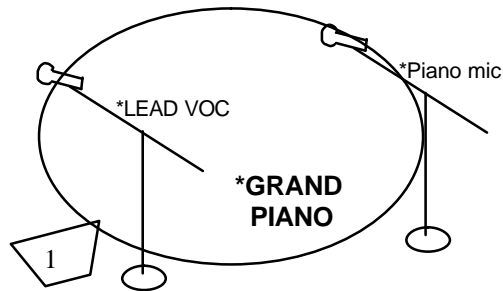
## INPUT LIST:

- 4 vocal mics (sm58, etc)  
 + 1 if using piano
- 2 acoustic guitars - DI's
- 1 keyboard - DI
- 1 Fender Rhodes - DI
- \*Xylophone - inst mic

3-5 monitors (3 mixes)

Preferred equip if avail:  
 Voc - SM58  
 DI - Countryman 85  
 12-16 channel board  
 4 channels compression & gate  
 EFX processor

\* = additional options



AUDIENCE